



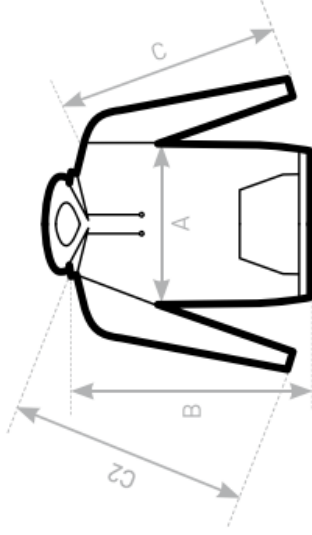


<b>Sizes</b>	<b>Width*</b>	<b>Length**</b>
S	53	68
M	57	70.5
L	61	73
XL	65	75.5
2XL	69	78
Tol	2.5	2.5

\*Measure across garment 1cm down from armholes

\*\*Measure from highest point of shoulder to bottom edge of garment





C= SET-IN SLEEVE  
C2= RAGLAN SLEEVE

**B&C ID.003 COTTON RICH**

WU I21

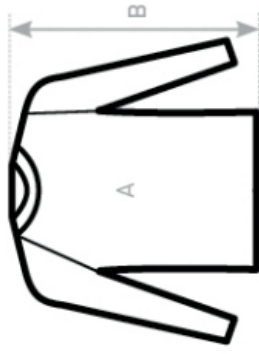
A HALF CHEST

B BODY LENGTH

C SLEEVE LENGTH

	XS	S	M	L	XL	2XL	3XL	4XL	5XL
A	48	51,5	55	58,5	62	65,5	69	72,5	76
B	63,5	65,5	67,5	69,5	71,5	73,5	75,5	77,5	79,5
C	61,5	62,5	63,5	64,5	65,5	66,5	67,5	68,5	69,5

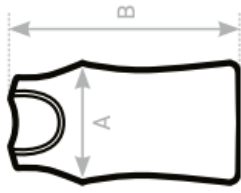




<b>B&amp;C #E190 LSL TU 07T</b>		XS	S	M	L	XL	2XL	3XL	4XL	5XL
A HALF CHEST		-	50	53	56	59	62	65	70	-
B BODY LENGTH FROM NECK POINT		-	70	72	74	76	78	80	82	-







**B&C INSPIRE TANK T /MEN**

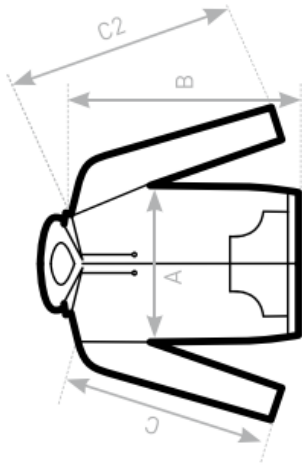
TM 072

A HALF CHEST

B BODY LENGTH FROM NECK POINT

XS	S	M	L	XL	2XL	3XL
-	46	49	52	55	58	61
-	72	73,5	75	76,5	78	79,5





C= SET-IN SLEEVE  
C2= RAGLAN SLEEVE

**B&C HOODED FULL ZIP /M. WM 647**

A HALF CHEST  
B BODY LENGTH  
C SLEEVE LENGTH

XS	S	M	L	XL	2XL	3XL
-	55,7	58,7	61,7	65,7	69,7	73,7
-	71,3	71,5	71,7	74	77,2	80,4
-	63,1	64,1	65	66,6	68,2	69,8